

# 光伏4.0 3转1分支连接器

## PV4.0 3 to 1 Branch Connector

### 产品规格

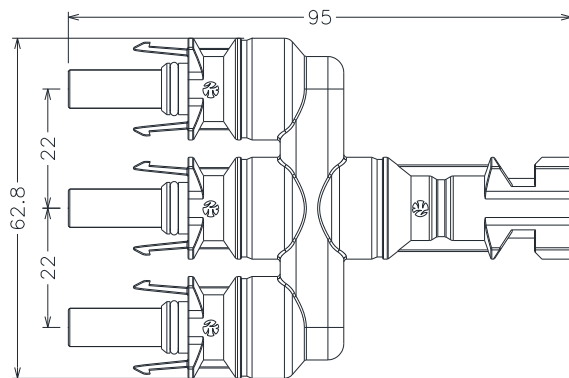
#### Product Specifications

绝缘材料 Insulation material	PPE	过压等级 Overvoltage category/Pollution degree	CATIII/2
额定电流 Rated current	30A	安全等级 Safety degree	II
额定电压 Rated voltage	1000VDC	阻燃等级 Flame class	UL94-V0
测试电压 Test voltage	6kV(50Hz,1min)	插入力/拔出力 Insertion force/Withdrawal force	≤ 50N / ≥ 50N
连接器接触电阻 Typical contact resistance	≤ 0.25 mΩ	环境温度范围 Ambient temperature range	-40℃...+85℃(IEC)
金属导体材料 Contact material	铜,镀锡 Copper, Tin plated	温度上限 limiting temperature	Upper 110℃(IEC)
保护等级 Degree of protection	IP67		

### 图示:

#### Drawing:

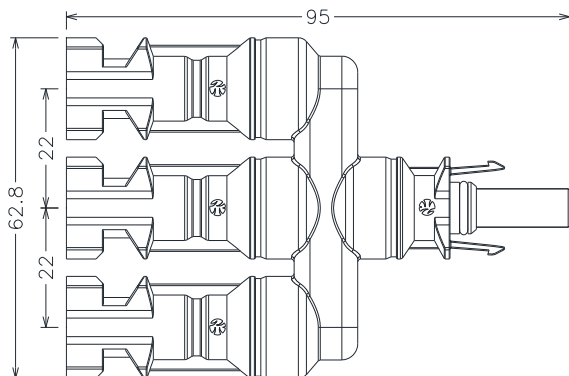
负极  
Negative



3母转1公  
3 Female to 1 Male

4B3101-001

正极  
Positive



3公转1母  
3 Male to 1 Female

4B3100-001

