

FLOATING BLANKING

BEAMS BLANKED ODC (mm)			
0	1	2	3
14	24	33	43
30	55	80	105
40	63	88	113

SMARTSCAN T4

MODEL: 053B***
SN: *****
R:
N:
K:
IP: 65
T: 20ms
V: 24V dc ± 10%
I: 1.5A

EN954-1 Category 4
IEC61496 Type 4
EN62061 SIL 3
EN ISO 13849 PL e
YEAR: 2015

PYWELL ROAD, CORBY
NN17 5XJ, UK
WWW.SMARTSCAN.COM

CE RX

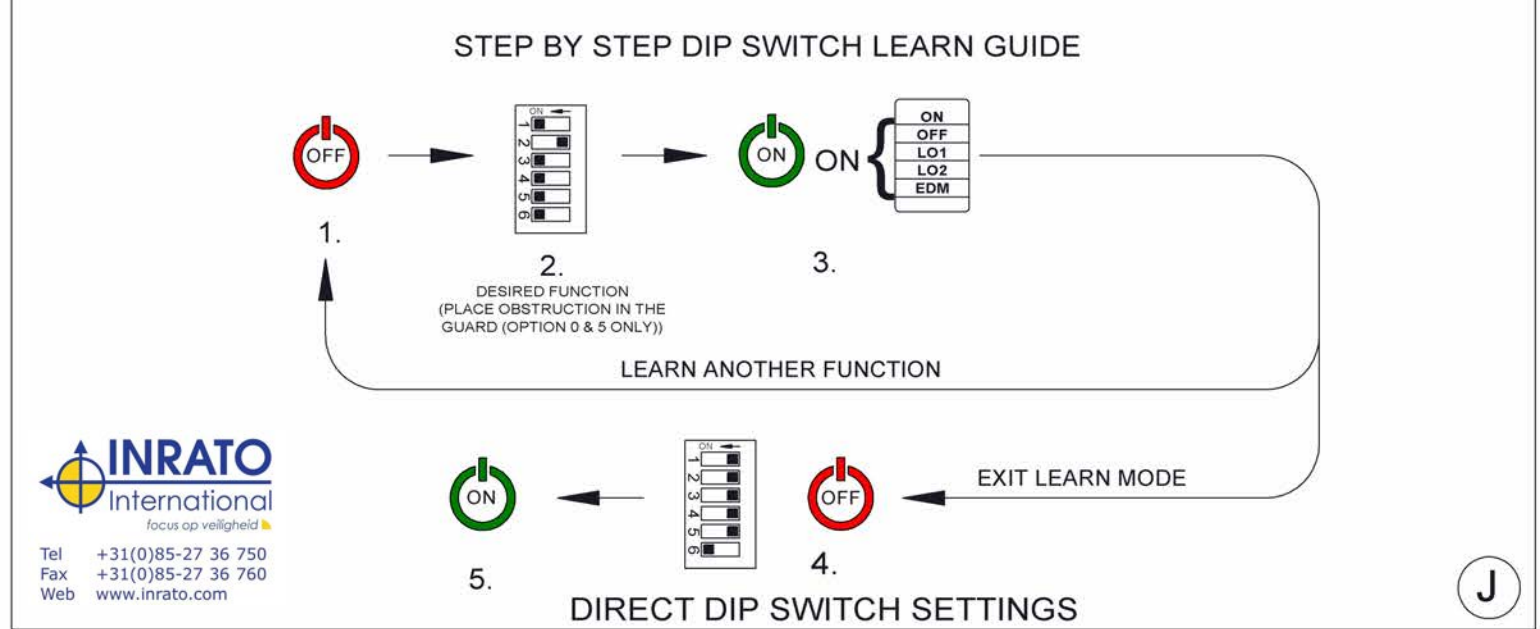
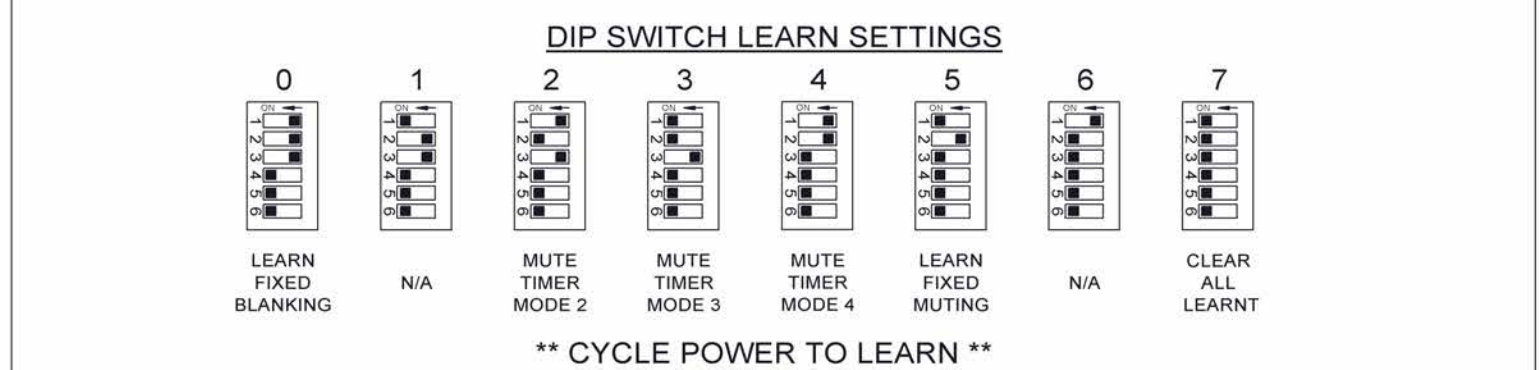
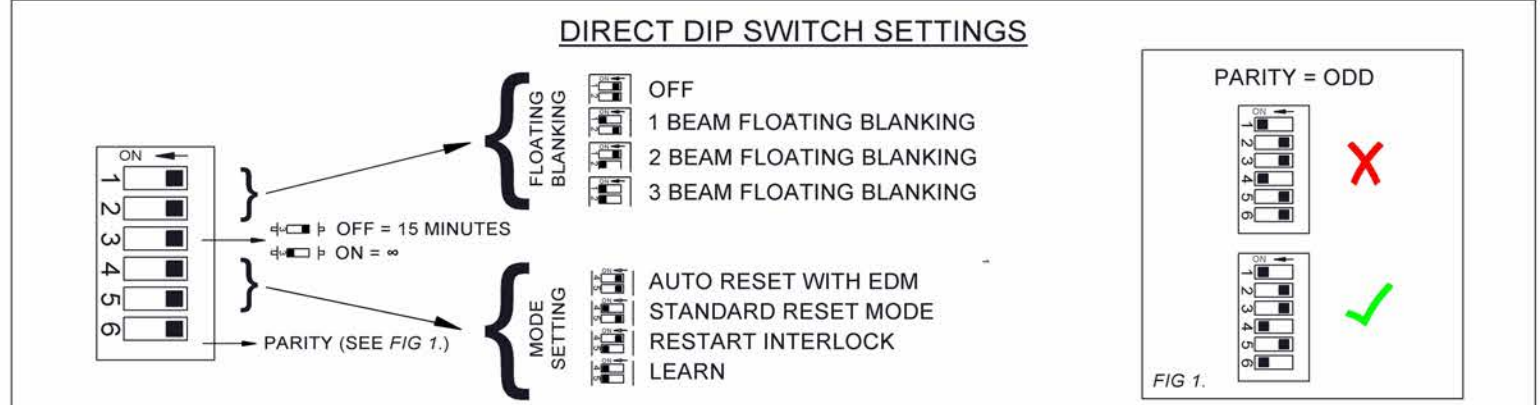
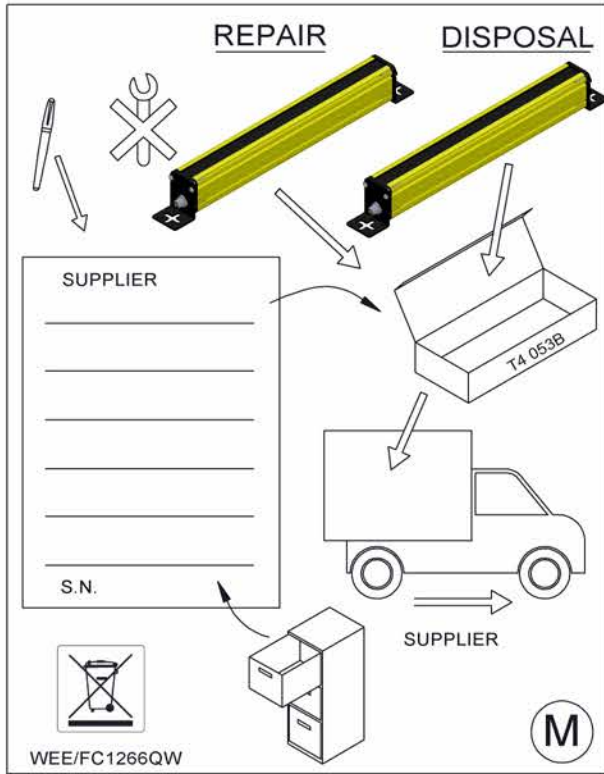
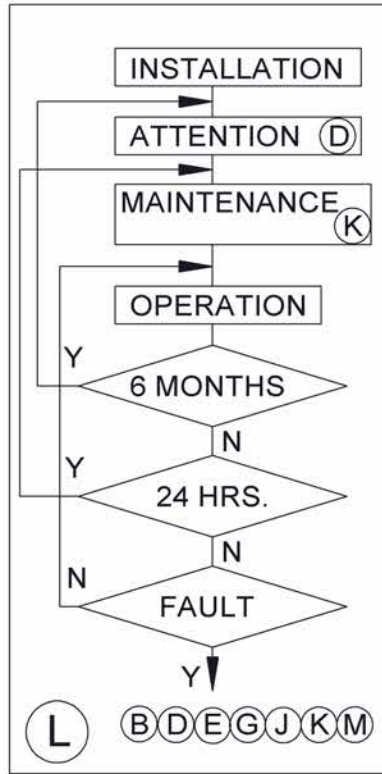
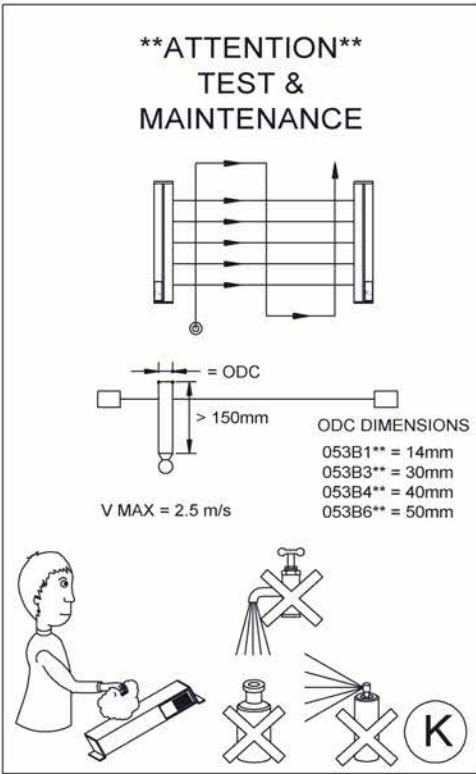
SMARTSCAN T4

MODEL: 053B***
SN: *****
R:
N:
K:
IP: 65
T: 20ms
V: 24V dc ± 10%
I: 1.5A

EN954-1 Category 4
IEC61496 Type 4
EN62061 SIL 3
EN ISO 13849 PL e
YEAR: 2015

PYWELL ROAD, CORBY
NN17 5XJ, UK
WWW.SMARTSCAN.COM

CE TX



T4 053B SERIES MODEL LIST

Model	14mm ODC	Beams	CTR mm	DZ mm	L mm
053B101	16	265	158	300	
053B102	32	415	308	450	
053B103	48	585	458	600	
053B104	64	715	608	750	
053B105	80	865	758	900	
053B106	96	1015	908	1050	
053B107	112	1165	1058	1200	
053B108	128	1315	1208	1350	

Model	30mm ODC	Model	40mm ODC	Beams	CTR mm	DZ mm	L mm
053B301	053B401	6	265	174	300		
053B302	053B402	12	415	324	450		
053B303	053B403	18	565	474	600		
053B304	053B404	24	715	624	750		
053B305	053B405	30	865	774	900		
053B306	053B406	36	1015	924	1050		
053B307	053B407	42	1165	1074	1200		
053B308	053B408	48	1315	1224	1350		
053B309	053B409	54	1465	1374	1500		
053B310	053B410	60	1615	1524	1650		
053B311	053B411	66	1765	1674	1800		
053B312	053B412	72	1915	1824	1950		
053B313	053B413	78	2065	1974	2100		
053B314	053B414	84	2215	2124	2250		
053B315	053B415	90	2365	2274	2400		
053B316	053B416	96	2515	2424	2550		

Model	DZ mm	CTR mm	L mm	Range
053B605	600 (2 x 6 Beams)	715	750	0.5 - 6 m
053B606	900 (3 x 6 Beams)	1015	1050	0.5 - 6 m
053B607	1200 (3 x 6 Beams)	1315	1350	0.5 - 6 m
053B608	1500 (4 x 6 Beams)	1615	1650	0.5 - 6 m
053B609	1800 (9 x 6 Beams)	1915	1950	0.5 - 6 m
053B610	2100 (10 x 6 Beams)	2215	2250	0.5 - 6 m
053B611	2400 (11 x 6 Beams)	2515	2550	0.5 - 6 m
053B622	1800 (5 x 6 Beams)	1915	1950	0.5 - 6 m
053B623	2100 (5 x 6 Beams)	2215	2250	0.5 - 6 m
053B624	2400 (6 x 6 Beams)	2515	2550	0.5 - 6 m

Model	DZ mm	CTR mm	L mm	Range
053B612	600 (2 x 6 Beams)	715	750	3 - 15 m
053B613	900 (3 x 6 Beams)	1015	1050	3 - 15 m
053B614	1200 (3 x 6 Beams)	1315	1350	3 - 15 m
053B615	1500 (4 x 6 Beams)	1615	1650	3 - 15 m
053B616	1800 (9 x 6 Beams)	1915	1950	3 - 15 m
053B617	2100 (10 x 6 Beams)	2215	2250	3 - 15 m
053B618	2400 (11 x 6 Beams)	2515	2550	3 - 15 m
053B619	1800 (5 x 6 Beams)	1915	1950	3 - 15 m
053B620	2100 (5 x 6 Beams)	2215	2250	3 - 15 m
053B621	2400 (6 x 6 Beams)	2515	2550	3 - 15 m

MODEL	LENGTH	Model	Range
051-005	Interconnect Cable - 5m	053B1**	0.5 - 4M
051-010	Interconnect Cable - 10m	053B3**	0.5 - 6M
051-020	Interconnect Cable - 20m	053B4**	3 - 15M

053BXXX G = 'G' Software being used

EC Declaration of Conformity

Product: Smartscan T4 Light Curtain

Manufacturer: Smartscan Limited, Pywell Road, Willowbrook Industrial Estate, Corby, Northamptonshire, NN17 5XJ, ENGLAND

Declares that the safety component(s) described serial numbers between 805 000 - 899 999 and T4 0001 - T4 9999, fulfils the following safety function: Electro-sensitive protective equipment - Active Opto-electronic Protective Device (safety light curtain).

Conforms to the following Directives:
Machinery Directive 2006/42/EC
Electromagnetic Conformity Directive 2004/108/EC
Low Voltage Directive 2006/95/EC

Complies with the relevant requirements of the following Standards:
EN 61496-1, EN 61496-2 Type 4
IEC 62061 SIL 3
EN ISO 13849-1 PL e

Uses the following standards:
EN ISO 12100, EN 60204-1

Complies with the examples to which the EC type examination certificate below relates, and is in conformity with the protection requirements of Council Directive 2004/108/EC, as amended, on the approximation of the laws of the Member States relating to electromagnetic compatibility.

The component is of a type listed in Annex IV of the Machinery Directive. Examples have been submitted for type examination by the approved body identified below.

Safenet Limited Notified Body Number 1674

Address Denford Garage, Denford, Kettering, Northamptonshire, NN14 4EQ.

Certificate No. 4000051114

Signed: *[Signature]* Date: 18. 12. 2014

Title: Technical Director